

1 11-16" Roller Centralizer

Application

The Roller Centralizer is a mechanical device that centralizes a tool string while it is run in or out of the wellbore. Hardened steel rollers on the contact points prevent wear on the arms as they expand and contract to fit the wellbore.

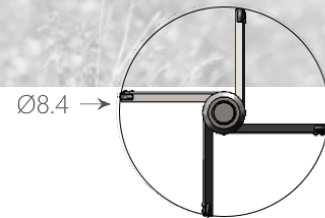
The Roller Centralizer is positioned anywhere within the tool string. Often, two Roller Centralizers are used in a string, one at the top and one near the bottom, to further increase the string stability.

Features

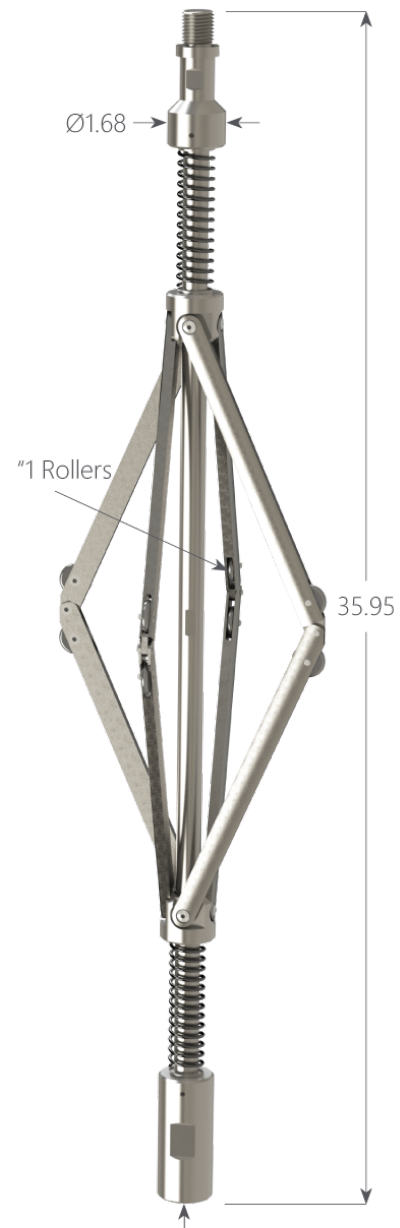
- Use to Centralize Memory Tools in Tubing or Casing
- 4 Arm Design Evenly Distributes Loading
- For Use with Memory Tools up to 200°C and 30,000 PSI
- NACE Compliant Construction for Sour Service
- Available with Either Amerada or Sucker Rod Threads
- Bidirectional Breakaway

Benefits

The Roller Centralizer has low friction, allowing it to move easily in and out of the wellbore. The wheels on the Roller Centralizer are easily replaceable and relatively inexpensive.



Fully Opened



See Table for Box Thread Type

1.68" Roller Centralizer		
Assembly Type	Thread Type	Part No.
Sweet Version (SS17-4)	Amerada	104205
	5/8" SR	104078
Sour Version (Inconel 718)	Amerada	103515
	5/8" SR	104206

Specifications	
OD	1.687" Max
Overall Length	36"
Make Up Length	35"
Centralizing Range	1.7" to 8.4"
Break Direction	Up or Down
Centralizing Load Capacity	35 lbs
Tensile Breaking Strength	30,000 lbs Min
Working Load	10,000 lbs

1 11-16" Roller Centralizer

Replacement Parts	
Part Type	Part No.
Centralizer Upper Arm - Stainless Steel	104460
Centralizer Upper Arm - CRA	103521
Centralizer Lower Arm - Stainless Steel	104461
Centralizer Lower Arm - CRA	103522
Arm Retention Screw - 1/4"-20 Button Head - Stainless	104090
Set Screw - #10-32 x 0.375" - Stainless	104143
Roller Screw - #10-32 x 0.44" Countersink	104088
1.0" Roller	104085
Roller Bushing - Brass	104089
Roller Bushing - Hardened	104215
Centralizer Spring - Standard	104081
Centralizer Spring - Reduced Rate	104638