

0.75" Quartz II Pressure Gauge

Application

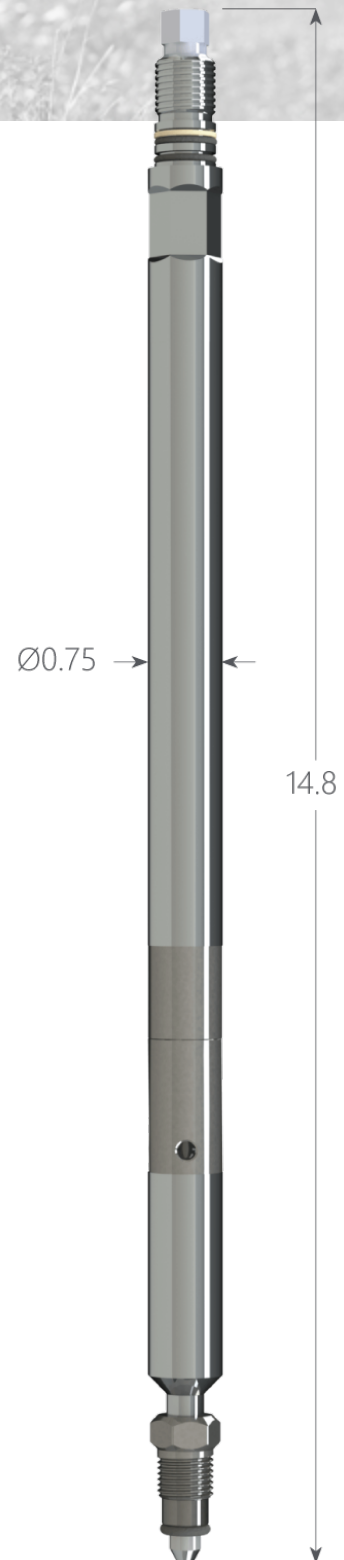
DataCan's 0.75" Quartz II Pressure Gauge is used to provide continuous, real time data about downhole conditions, helping increase productivity throughout the life of the well or reservoir. The gauge uses a quartz pressure sensor to produce the highest quality data and has a high pressure rating, operating at pressures up to 25,000 psi and temperatures up to 150°C. The gauge is characterized by its electron beam welded sensor, feedthru and housing bodies. It has hermetically sealed electronics and a dual protection metal to metal seal design that prevents leaks from entering, all of which makes it very reliable. Therefore, when working at high pressures and when the highest quality data is required the 0.75" Quartz II Pressure Gauge is perfect.

Features

- Fully Welded Construction
- Hermetically Sealed
- Corrosion Resistant NACE MR0175
- Metal to Metal Seals
- Highest Quality Data
- Highest Reliability

Benefits

The 0.75" Quartz II Pressure Gauge is quick and easy to install and produces the highest quality well or reservoir data in real time. Its fully welded construction, dual protection metal to metal seal design, and hermetically sealed electronics, make it a very reliable gauge.



0.75" Quartz II Pressure Gauge

0.75" Quartz Permanent Gauge II - Inconel 718			
Pressure	Temperature	Length	Part No.
5,000 psi	150°C	13.74"	107763
10,000 psi			102212
16,000 psi			102213
20,000 psi			102214
25,000 psi			102215
5,000 psi	177°C	17.81"	103243
10,000 psi			103244
16,000 psi			103245
20,000 psi			103246
25,000 psi			103247

Specifications		
Mechanical Shock	500G, 2ms half sine	
Vibration	10-2000 Hz @ 10 G	
Maximum External Pressure	10% over	
Maximum O.D.	0.75 in (31.75 mm)	
	Pressure	Temperature
Accuracy Up To	0.02% F.S.	0.25°C
Resolution	0.00006% F.S.	0.005°C
Drift	< 1 psi/year	< 0.1°C / year>