

0.75" Quartz DXB II Memory Gauge

Application

The 0.75" size is best when limited on space and works well for gauge carrier, coiled tubing, and DST operations. AA battery packs are used in the 0.75" OD tool, which limits the duration the tool can be "on" downhole; typically 2 weeks for jobs at 177°C and up to 2 months for jobs at 145°C. The 0.75" gauge is characterized by its electron beam welded sensor, high pressure rating, and maximized temperature response due to the geometry of the sensor.

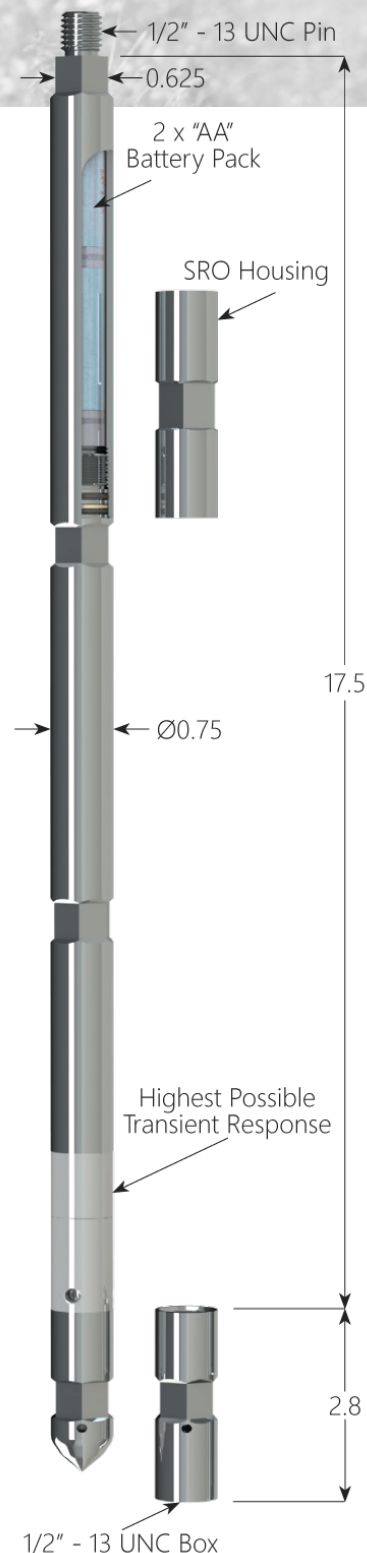
*Make sure to use the battery calculator in the DataCan download software to determine maximum job length for specific applications.

Features

- 200°C Option
- 2 Million Sample Capacity
- Inconel 718 or MP35N - NACE MR0175
- Electron Beam Welded
- Modular Memory for Easy Field Replacement
- Fast Temperature Response
- Short Tool - Only 18" Long
- Can Quickly and Easily be Converted to SRO System

Benefits

DataCan quartz gauges, including the 0.75" DXB II, use industry leading fast temperature response transducers with industry proven reliability. Since DataCan's quartz gauges have low power consumption, resulting in longer battery life, the cost to perform a job is cheaper than the competition. The modular memory makes it easy for customers to adapt their tool to best suit their needs. DataCan program and download software is industry leading with the fastest graphing package available that is both customizable and easy to use.



0.75" Quartz DXB II Memory Gauge

0.75" Quartz DXB II - Inconel 718		
Pressure	Temperature	Part No.
10,000 psi	150°C	104605
10,000 psi	177°C	105078
16,000 psi	150°C	105036
16,000 psi	177°C	105037
20,000 psi	177°C	105038
20,000 psi	200°C	105039
25,000 psi	177°C	105040
25,000 psi	200°C	105041

Accessories	
Accessory Type	Part No.
Bullnose SS316	100402
Crossover 0.5-13 UNC SS316	100403
Crossover 0.25 NPT SS316	100404
Battery Barrel 2 X "AA" Inconel 718	100755
SRO Housing	105130
Pelican Case Assembly	100444
USB Download Cable	100682
Redress Kit Viton 90	100445
Redress Kit Aflas 7182B	100446
Redress Kit Chemraz 510	100447
Replaceable Memory Module 125°C	105107
Replaceable Memory Module 177°C	104599
Replaceable Memory Module 200°C	105108
Replaceable SRO Module 150°C	105132

Specifications		
	Pressure	Temperature
Accuracy	± 0.02 % F.S.	± 0.2°C
Resolution	0.00006% F.S.	0.005°C
Drift	≤ 2 psi/year	< 0.1°C/year
Capacity	2 Million Samples	
Communication Method	USB	